



Figure 1

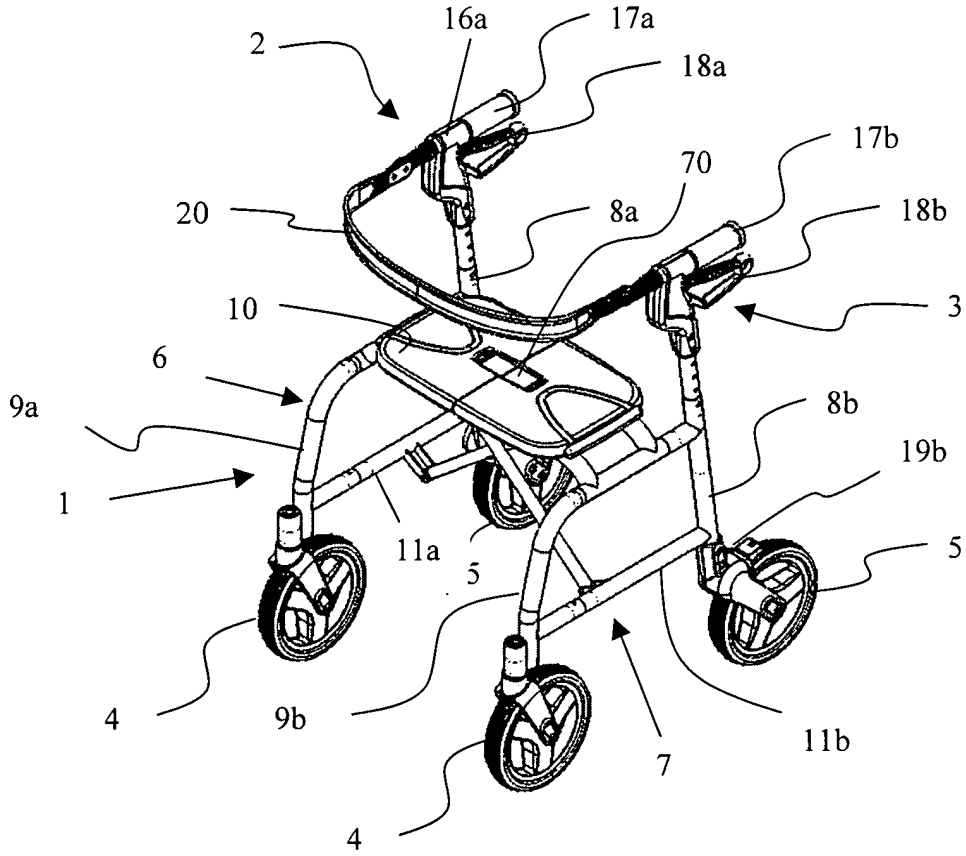
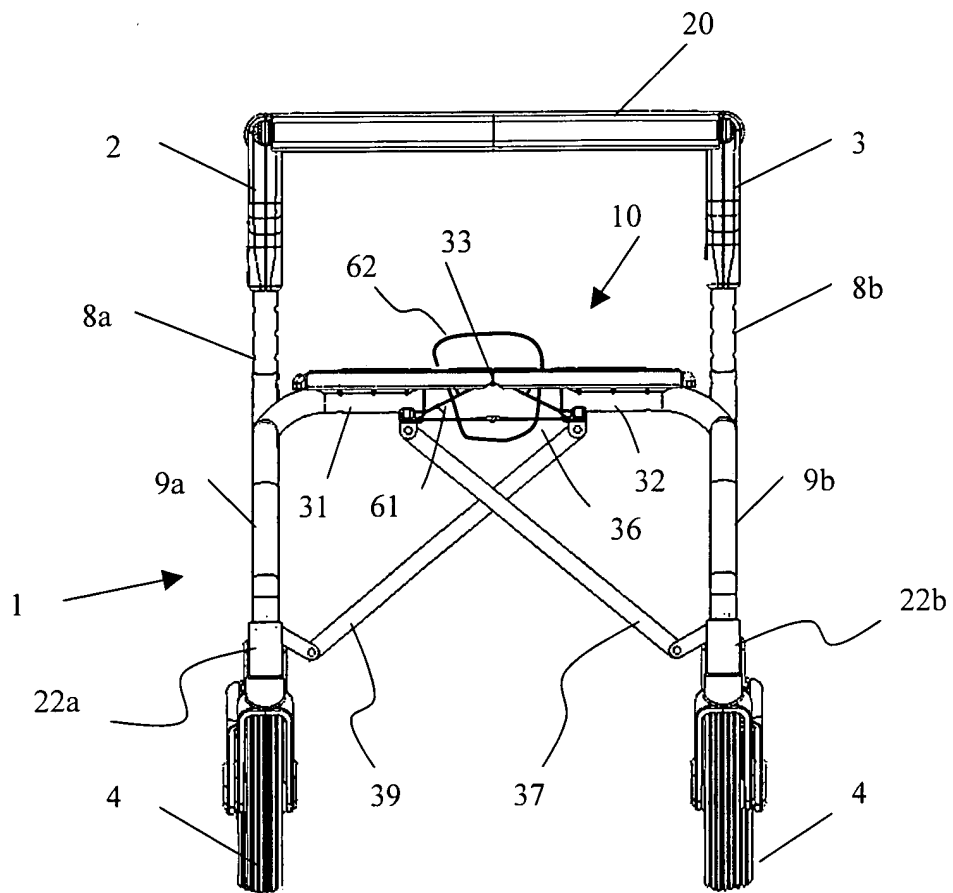
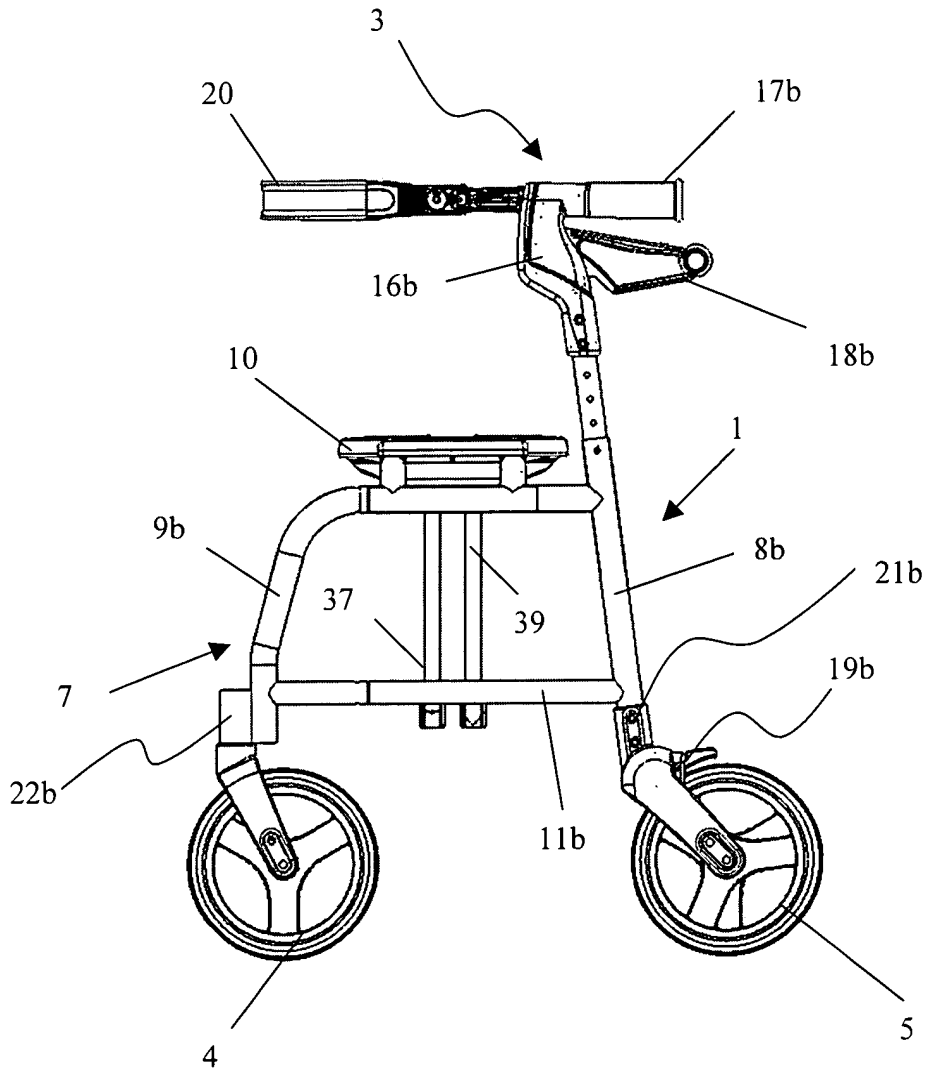


Figure 2



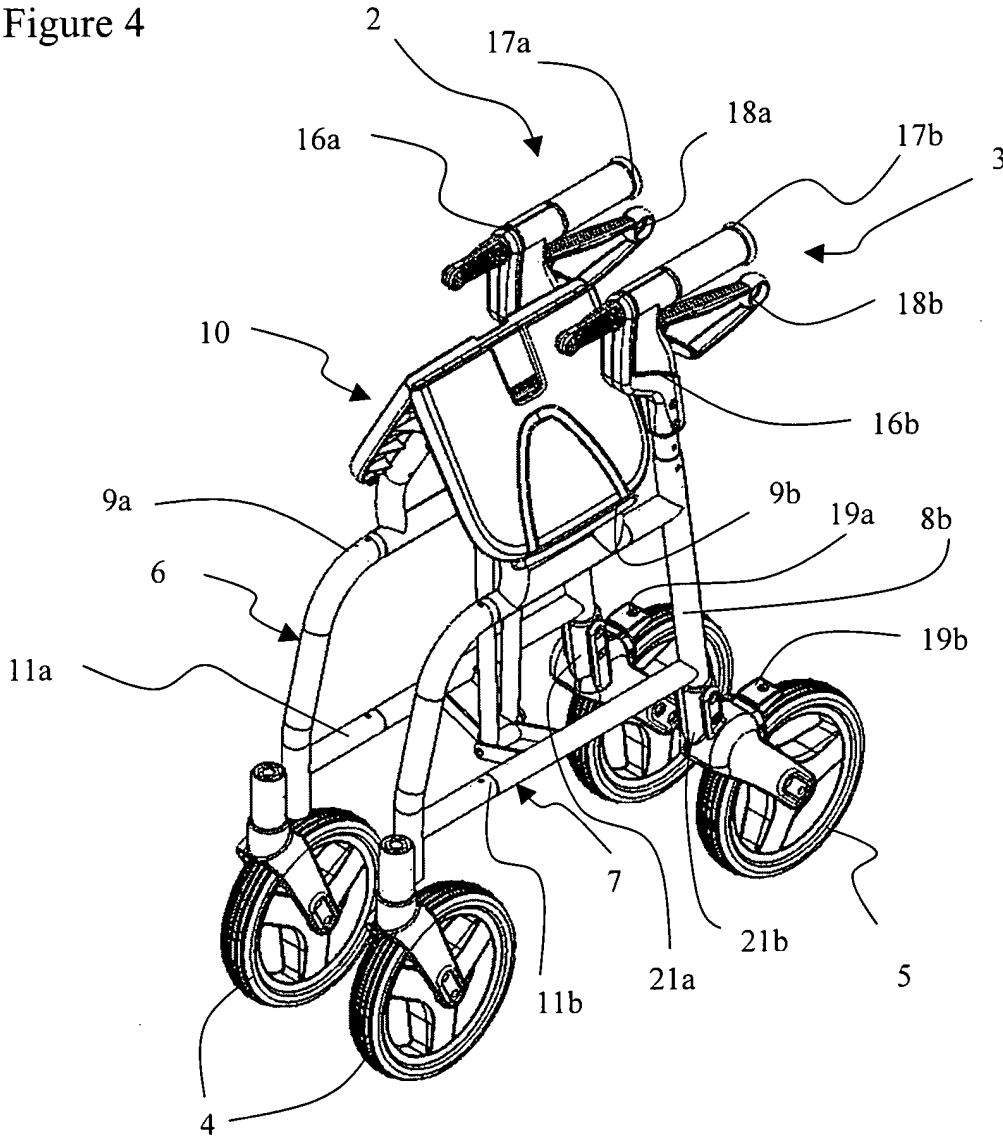
Replacement Sheet  
USSN 10/809,334  
Amendment Filed May 25, 2006

Figure 3



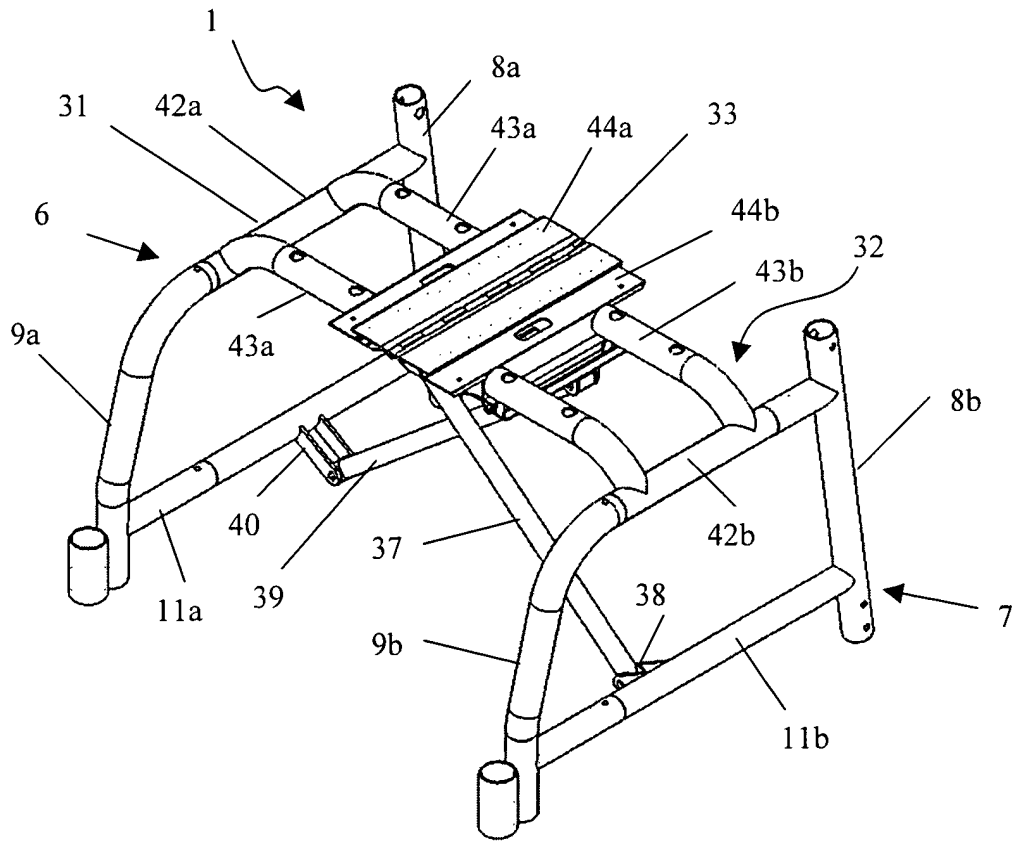
Replacement Sheet  
USSN 10/809,334  
Amendment Filed May 25, 2006

Figure 4



Replacement Sheet  
USSN 10/809,334  
Amendment Filed May 25, 2006

Figure 5



Replacement Sheet  
USSN 10/809,334  
Amendment Filed May 25, 2006

Figure 6

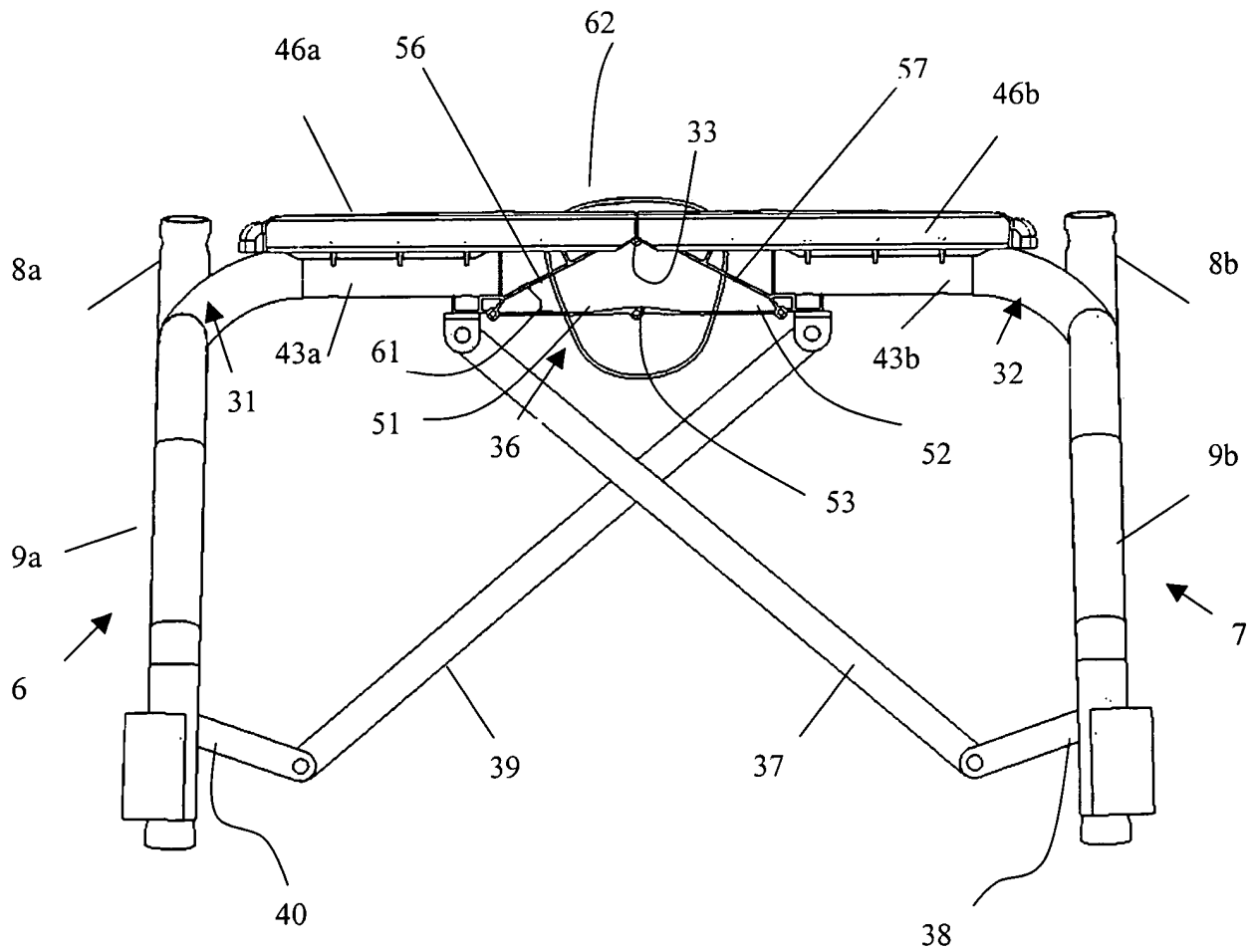


Figure 7

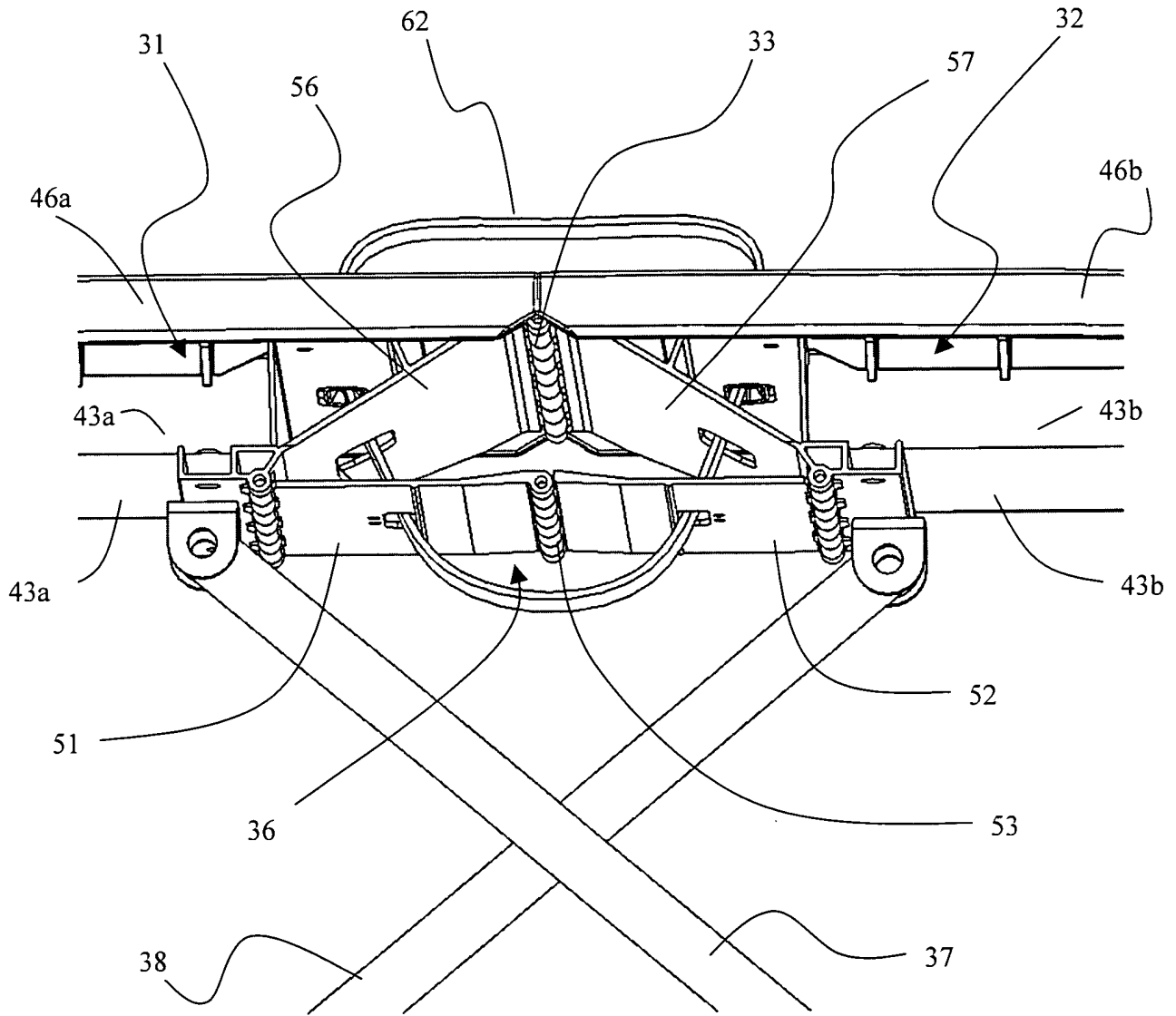


Figure 8

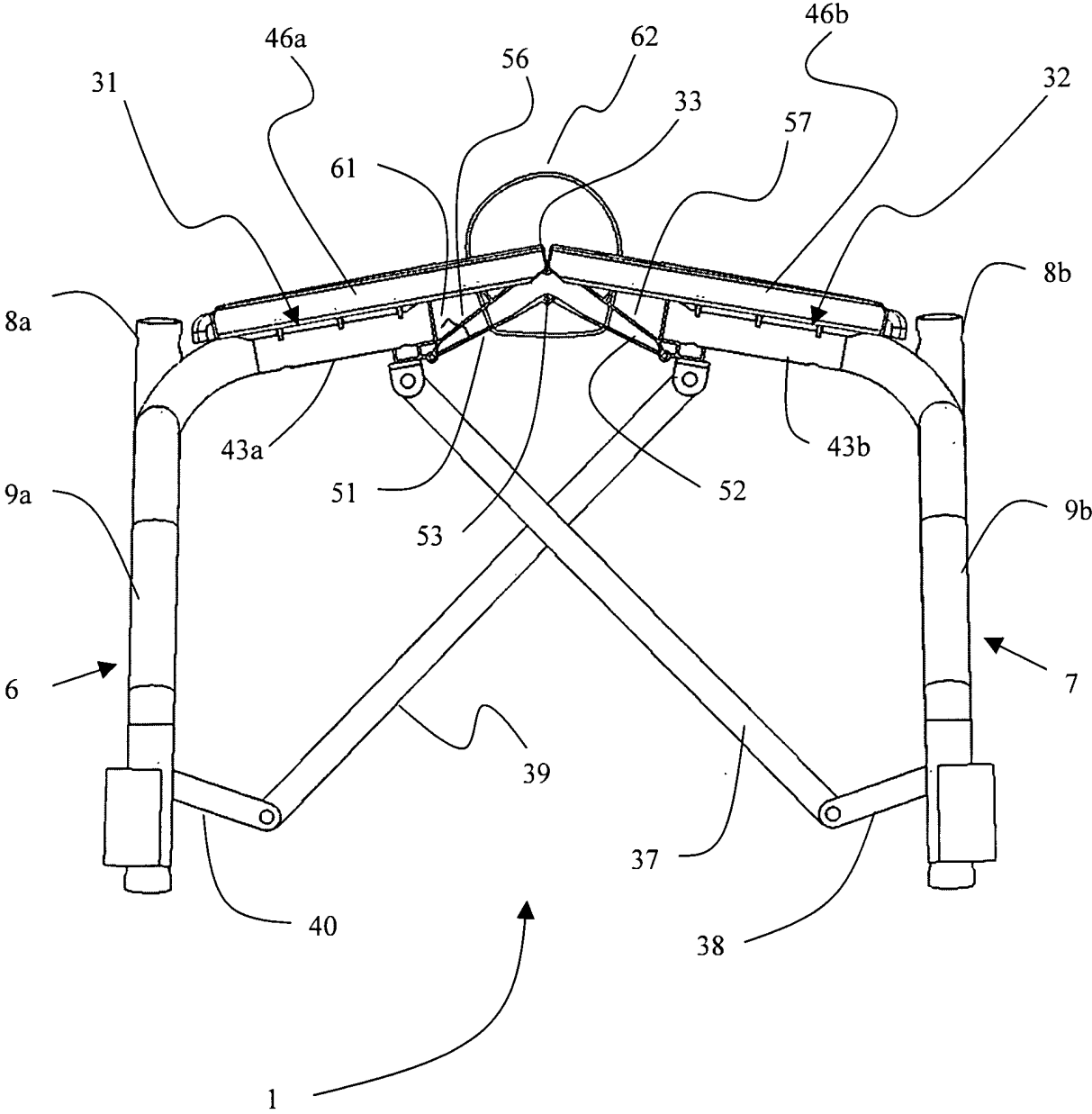




Figure 9

